

# 2023 Secondary 3 Subject Combination Parents' Briefing

LEADERS OF CHARACTER | SCHOOL OF EXCELLENCE

NAVAL  
BASE  
SECONDARY  
SCHOOL

1

## Post-Sec Pathways

2

### When Choosing a Subject Combination (1)

- What subjects do my child enjoy doing?
- What are my child's strengths? What have people/myself praised him/her for?
- What are my child's aspirations? How will the Subjects chosen be useful for Jobs that he/she likes?
- Is this ability /skill in line with my child's interests and learning style?

NAVAL  
BASE  
SECONDARY  
SCHOOL

3

### When Choosing a Subject Combination (2)

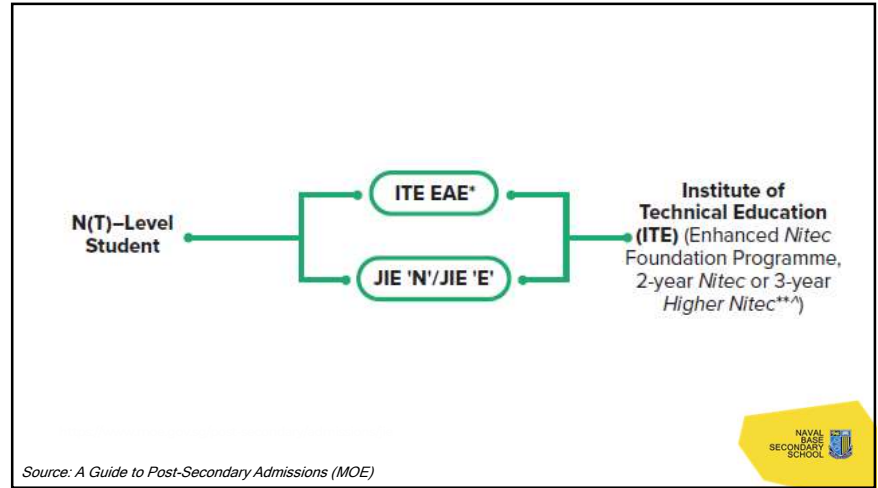
- Different entry requirements to the different post-sec institutions
- Positive learning experience for our child, learning what they are good at and what they enjoy
- Encouraging them to take up different activities and help them to reflect on their strengths and interests

NAVAL  
BASE  
SECONDARY  
SCHOOL

4

# Pathways N-Levels

5



Source: A Guide to Post-Secondary Admissions (MOE)

6

## Entry Requirements

ITE-Early Admission Exercise (EAE)	JIE-N
Subject Grade Requirement stated under Minimum Entry Requirement	Aggregate Points of 4 Subjects and Subject Grade Requirement stated under Minimum Entry Requirement

7

### Andy Pang Teng Seng

Grades were never a priority for Andy during his primary school days. Although he was channelled to the 'NIT' stream, he slowly began to enjoy learning. This new-found joy propelled him to graduate as the top student for GCE 'N(T)' Level in his secondary school. He subsequently completed Nitec in Mechatronics with an impressive Grade Point Average (GPA) of 3.98. That set his path towards a Diploma in Mechatronics at Temasek Polytechnic (TP).

▶ As applied learning was his forte, Andy grew in confidence as he shared his knowledge by tutoring his peers and juniors who faced difficulties in school. Andy's performance improved steadily and his final year project won the merit award at the TP Engineering Roadshow.

Upon completion of his National Service (NS), Andy proceeded to pursue the same field through a degree in Nanyang Technological University (NTU) and eventually attained a Degree with Honours in Electrical and Electronic Engineering.

#### Andy's Education and Career Pathway

*As applied learning was his forte, Andy grew in confidence as he shared his knowledge by tutoring his peers and juniors who faced difficulties in school.*

8

## 2. Subject Combination

9

### 2023 Combination

Subject 1	English Language
Subject 2	Mother Tongue Language
Subject 3	Mathematics
Subject 4	Science
Subject 5	Computer Applications
Subject 6	Art <b>or</b> Design & Technology <b>or</b> Music <b>or</b> Nutrition & Food Science

10

### Out-of Stream (Normal Academic) Subject

- Students may be offered Out-of Stream (OOS) if they have obtained
  - a pass in 2022 Subject-Based Banding (SBB) Subject **or**
  - at least 75% (overall) in the NT subject
- However, the school does **not** offer OOS for Science

11

### Changes to Grades Reflected on Result Slip and Examination Certificate

- Grade U in:
  - N(A)-Level examinations replaced with Grade 6
  - N(T)-Level examinations replaced with Grade E
- **All grades, including N(A)-Level Grade 6 and N(T)-Level Grade E will be reflected in the student's result slip and examination certificate.**

12

## Entry Requirement for ITE

based on best 4 GCE 'N' subjects including pre-requisites

BUSINESS & SERVICES				Minimum Entry Requirements
<b>Business Administration</b> ④ ⑥	NFBSA	CC-AM	6	3 GCE 'N' Passes (Grade A-D or Grade 1-5) in English Language and two other subjects <b>Or</b> 2 GCE 'O' Grades (Grade 1-8) in any two subjects
		CE-SM	7	
		CW-CK	7	
<b>Business Services</b> ④ ⑥ <i>(Also offered under Traineeship)</i>	NFBSZ	CC-AM	7	
		CE-SM	9	
		CW-CK	8	

